



WHAT WE DID LAST MONTH

Chicago Executive Pilots' Association (CEPA) Board members held their monthly meeting. Our ongoing work to lobby the airport for competitively priced 100LL fuel, more maintenance options for piston aircraft, more favorable opportunities for avionics, upholstery, paint shops, etc.— continues. .

CEPA members attended the meeting of the CEA Board. The active presence of our CEPA members at the monthly Board meetings is valuable. We have a strong commitment to providing information from the pilot community to the Airport Board and from them back to our pilot community.

CEPA members signed up to provide Young Eagles rides for area children. Weathered out on May 16th, the event was rescheduled on May 30. Volunteer for this valuable outreach program. It makes a profound difference in the lives of many who do.

We continued our outreach to the community by offering to guide tours of the airport; to speak to interested groups; to take newcomers for their first ride in a light plane; and to discuss and explain our collective fascination with the art and science of aviation.

Join us in making a commitment to excellence - in safety education, in representation of the CEA pilot population, in working for improvements at PWK, and in providing scholarships for aviation students.

Our members fly for business and commercial purposes, give flight instruction, take flight instruction for recurrent training and for new ratings, fly for breakfast, lunch and/or dinner, and just fly for fun.

Did you fly this month?

SPECIAL EVENT JUNE 6 9-NOON BREAKFAST AND FLY MARKET

Please come and enjoy a free breakfast on the airport. You DO NOT have to be a member of our organization to attend. We will welcome you at the gate to NE T's.

Do you have any aviation supplies, parts, equipment, anything you don't need anymore? Reserve a table and sell it to someone who might have use for it. Head sets, radios, knee boards, whatever. Table rental of \$25 benefits the Scholarship Foundation. Contact Lou at janlou@comcast.com. Still room for more vendors.

SPREADING THE WORD

Director Ray Dash has been spreading the word about the good work that our organization has done over the past almost 30 years.



Ray Dash of CEPA and
Bob Dempsey of CAP

He has spoken to a few organizations active at KPWK to highlight and explain our lobbying successes.

Do you know of a group we can address to spread the word?

Let us know please.

THE OFFICERS AND BOARD OF THE CHICAGO EXECUTIVE PILOT'S ASSOCIATION WANT TO EXPRESS THEIR APPRECIATION TO ATLANTIC AVIATION FOR THE USE OF THEIR CONFERENCE ROOM FOR ALL OF OUR MONTHLY BOARD MEETINGS.

2015 OFFICERS, DIRECTORS, COMMITTEE CHAIRS

| | | |
|-----------------------------|---|--|
| PRESIDENT | Madeleine Monaco 99mjm@sbcglobal.net | 847-431-1847 |
| VICE PRESIDENT | Gene Haig gene.haig@gmail.com | 224-578-5066 |
| SECRETARY | Henry Fiorentini henry@panatechcomputer.com | 847-682-4550 |
| TREASURER | Ken Riesterer papa@pwkpilots.org | 847-456-1791 |
| DIRECTORS | Ray Dash raydash@comcast.net John DeJoris dejoris@flash.net Rogers Faden rogersfaden@comcast.net Howard Levinson howdl@sbcglobal.net Keith Miller Keith@RobertsHeating.com | 847-251-4281 847-373-3988 847-312=8805 847-480-1118 847-736-3045 |
| AIRPORT SUPPORT NETWORK REP | Howard Levinson howdl@sbcglobal.net | 847-480-1118 |
| SCHOLARSHIPS | Jason Unger Jason@flytherellc.com | 224-588-9364 |
| BYLAWS/LEGAL | Bob Hanaford rhanaford@hanafordlaw.com | 312-899-9020 |
| MASTER PLAN REP | John DeJoris dejoris@flash.net | 847-373-3988 |
| MEMBERSHIP | Ken Riesterer papa@pwkpilots.org Ray Dash raydash@comcast.net | 847-456-1791 847-251-4281 |
| SAFETY/PROGRAMS | Rogers Faden Rogersfaden@comcast.net | 847-312-6805 |
| PUBLIC RELATIONS | Corey Kaplan corey@semperfiprinting.com | 773-710-3269 |
| WEBMASTER | Jim Kwasek webmaster@pwkpilots.org | 847-465-8359 |
| NEWSLETTER MGR | Madeleine Monaco 99mjm@sbcglobal.net | 847-431-1847 |
| NEWSLETTER ADS | Rusty Stevens cd987rusty@aol.com | 847-910-2789 |
| FACEBOOK PAGE | Arthur Gunn Arthur@gunncpa.com | 847-962-9311 |

PAPA EVENT SCHEDULE 2015

All Board Meetings are held at Atlantic Aviation in the Conference Room at 7:00 pm

| | |
|----------|--|
| JUNE 1 | BOARD MEETING |
| JUNE 6 | FREE BREAKFAST AND FLY MARKET |
| JUNE 24 | GENERAL MEETING & SAFETY PROGRAM ATC TOWER OPS EXERCISE CROWNE PLAZA HOTEL NORTHBROOK |
| JULY 6 | BOARD MEETING |
| JULY 15 | ANNUAL MEMBERS PICNIC SCHOLARSHIP PRESENTATION HAWTHORNE FBO HANGAR |
| AUGUST 3 | BOARD MEETING |
| SEPT 14 | BOARD MEETING |
| SEPT 23 | GENERAL MEETING & SAFETY PROGRAM |
| OCT 5 | BOARD MEETING |
| NOV 2 | BOARD MEETING |
| NOV 18 | SAFETY PRESENTATION & ANNUAL MEETING |
| DEC 7 | BOARD MEETING |
| DEC 16 | ANNUAL HOLIDAY DINNER CHEVY CHASE COUNTRY CLUB |

PWK FUEL

For daily fuel prices visit www.100ll.com or airnav.com



COUNTING DOWN TO AFFORDABLE FUEL AT PWK

The Chicago Executive Pilots' Association Newsletter is published monthly. This organization was formed in 1986 as a forum for the users of Chicago Executive Airport (formerly known as Palwaukee) and a means to act as a conduit for information from the users to the governing body and from the governing body to the users. Our mission is to promote the safety of operations and continued development of Chicago Executive Airport in a fraternal environment with the pilots, users and community. Membership is open to any user of Chicago Executive Airport. Membership dues are \$30.00 annually and include a subscription to this newsletter.

Letters to the Editor, feedback, concerns and questions and any articles submitted for publication must be received by the 20th of the month. Submissions will be printed on a space available basis and may be edited for style, length and appropriate content. Send text as a Microsoft Word file attached to an email to 99mjm@sbcglobal.net. Please make prior arrangement with the editor for any files not electronically transmitted,

CHICAGO EXECUTIVE PILOTS' ASSOCIATION NEWSLETTER
1005 S Wolf Road Suite 106
Wheeling, IL 60090-6408

**PAPA SCHOLARSHIP & SAFETY FOUNDATION
Board of Directors Meeting Minutes**

Atlantic Aviation Board Room, CEA, Monday, 5-4-15

CALL TO ORDER Meeting called to order at 7:00 pm by President Monaco Officers present: Haig, Riesterer, Fiorentini, Faden, Miller, Levinson, DeJoris and Dash. Also present Doerner and Loerzel

APPROVAL OF MINUTES Minutes approved as published on a motion by Dash/Faden

TREASURER'S REPORT \$17,921.85

CHAIRMAN'S REPORT One scholarship application received All schools will be called to remind them.

ADJOURNMENT by consensus at 7:02 pm

**CHICAGO EXECUTIVE PILOTS' ASSOCIATION
BOARD OF DIRECTORS MEETING MINUTES**

CALL TO ORDER The meeting was called to order at 7:03 pm by President Monaco. Present were Haig, Riesterer, Fiorentini, Dash, Levinson, DeJoris, Miller, Faden, Doerner, and Loerzel.

APPROVAL OF MINUTES on a motion by Haig/Dash Passed

TREASURER'S REPORT Bank Balance: \$ 7,658.31

COMMITTEE REPORTS

Master Plan liason DeJoris Charlie unavailable due to meetings with 2 villages. Will come to next meeting.

Affordable fuel – Doerner Will need to be done by the Village, in lieu of a separate entity that w/b required to comply with all minimum standards requirement.

ASN/ATC/Corporate May 14th for Hall of Fame meeting. Wednesday morning Tower meeting, members encouraged to attend. Entre with group of mechanics interested in opening a piston shop.

Membership Riesterer 154 members currently

Recruiting Dash Handing out applications at meetings, for those who ask. CAP meeting: 11 adults solicited information, very active group. Asked that we give them 5 minutes at our meeting

Safety and Programs Faden Spin/Stall meeting was well attended and well presented Commitment from someone to come from ForeFlight to come and talk to us, in September time frame.

Social Events PRASAD Breakfast Event Looking to have a Breakfast event at the North East T Hangar. June 6th and Fly Market.

Picnic Haig Hawthorne set for location In discussion with food provider Following up with permits needed

Christmas Event - Dash Rooms seem to all be in the 50-60 people room, but we need something larger than that. Chevy Chase looking attractive, on both room and prices. Levinson motioned to proceed with Chevy Chase, 2nded, and unanimously agreed. Date is for December 16th.

NEW BUSINESS

Young Eagles Flying on the 16th

IDOT visit May 7th at 9am

Poplar Grove is having a Pancake Breakfast on May 10th, 7-12

Donation \$100 proposed to partially fund CAP cadet at flight encampment. Motion Levinson, 2nd: Dash to raise donation to \$250 unanimously approved. Await decision on which fund to take it from. Members donated \$160 in cash on the spot, lowering financial burden to \$90 .

ADJOURNMENT The meeting was adjourned by consensus at 8:07 pm

Respectfully Submitted,

Henry Fiorentini, Secretary

ARE YOUR DUES PAID? LOGON AND RENEW OR MAIL IN YOUR CHECK PLEASE

Our wonderful organization has some

NEW MEMBERS THIS MONTH

Mitchell Kaufman
Seymour Hersh

Please welcome them!

CHICAGO EXECUTIVE PILOTS FLY MARKET

Classified Ads

FREE TO MEMBERS

Your ad can be here next month.

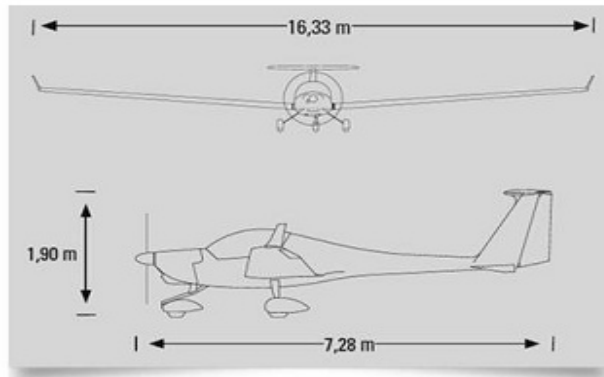
Contact the editor to submit your text by the 20th



Soar Like an EAGLE

Get a glider rating!
in a **NEW**

Diamond HK36 Super Dimona Motor Glider



Training Packages Available



For more details
Call (847)-599-9955
Or visit
www.skillaviation.com



HELP WANTED

Signature Flight Support @
Chicago Executive Airport – PWK
Wheeling, Illinois

Seeking qualified candidates
For the following position:

Line Service Technician

Responsibilities include
Providing Airport/Aircraft
Ground Handling Services.
Requires H.S. diploma or GED,
Valid driver's license.

Apply On-Line @ www.signatureflight.com

EEO M/F/D/V
Call 847-537-1200 with questions.



Stick and Rudder, LLC in Kenosha, WI

Instruction | Rental | Sales

*Stick and Rudder is a flight school in
Kenosha, WI, dedicated to training safe and
legal pilots, while having fun in the process.*



<http://stickandrudderllc.com/>

MEMBER DISCOUNT PROGRAM

Your membership card was recently mailed to you. Use it for discounts at select local businesses.

Current discounts include:

- **Allgauer on the Riverfront:**
10% discount on food purchases
- **Aviation Universe:**
20% off all chart purchases with free media mail shipping
- **B. Coleman FBO at Gary Municipal:**
10 cents per gallon discount on 100LL
- **Crowne Plaza Northbrook:**
10% discount on food purchases. Standard room rate \$109 plus tax (includes internet & breakfast).
- **D'Agostino's in Wheeling:**
10% discount on food purchases
- **Future Automotive Warehouse:**
70 East Hintz Road , Wheeling : Currently available group discounts on aviation and automobile related products
- **Gary Jet Center:**
\$.30/gallon discount for all fuel purchases or will meet the lowest on-field retail price, whichever is better for the customer.
- **Signature Flight Support at PWK:**
10% discount on 100LL fuel
- **State Farm Agent Ernesto Ramirez:**
224 S Milwaukee Ave , Wheeling: \$10 gift card for getting an insurance quote

We will be publishing additional discount opportunities in the monthly Chicago Executive Pilots' Association Newsletter, and alert members via the webpage, Facebook and in periodic e-mail notices.

To obtain your discount, you MUST show your membership card at time of purchase.

SAVE SOME DATES

**ANNUAL MEMBERSHIP APPRECIATION EVENT
HANGAR PICNIC AT HAWTHORNE HANGAR
JULY 15**

**ANNUAL HOLIDAY DINNER EVENT
BUFFET SUPPER AND CELEBRATION AT
NEWLY REMODELED CHEVY CHASE
COUNTRY CLUB IN WHEELING
DECEMBER 16**



SUMMER TRIPS FOR OUR FLIGHT STUDENTS

CONTACT US FOR DETAILS

Chicago!Executive
FLIGHT SCHOOL

NEW OFFICE SPACE
1098 Milwaukee Ave
Suite 102

NEW TECHNOLOGY
GoProCam combined with
Google Maps

SAME OUTSTANDING INSTRUCTION
In 6 superb aircraft

Stop in for a visit!

Same phone and website
847-465-8359

www.chicagoexecutiveflightschool.com

Aviation Maintenance Inc.



Available for all your piston aircraft maintenance needs.

(847) 541-4752 • Chicago Executive Airport • Hangar 6

www.WINDYCITYFLYERS.COM

WORLD CLASS FLIGHT TRAINING
EXTRAORDINARY FLEET

Pilot Shop
FAA Written Tests



Flight Training
Aircraft Rentals

(847) 808-1188 • 1098 S. MILWAUKEE AVE. #105

RUN THE RUNWAY AT CEA (PWK)

July 3, 2015

8:00am Sharp

Chicago Executive Airport

Wheeling, IL

5K Run & 1 Mile Walk

Join us at Chicago Executive Airport in Wheeling, IL for our second annual Run the Runway at CEA (PWK)! This is a rare opportunity to run or walk on our main runway and taxiways! Our course is USATF certified and the 5K race will be chip timed. No dogs, strollers or skates, please. No refunds.

Registration:

Early registration (until June 23rd): \$35 June 24 - July 2nd: \$40 Race Day: \$45

Space is limited, register early!

All proceeds from and donations to the event will benefit the PAPA Scholarship Fund, the scholarship fund of the Chicago Executive Pilots Association. The fund provides scholarships to Illinois residents who are full-time students attending or planning to attend an accredited Illinois school pursuing a course of study in a recognized professional aviation program.

Packet Pickup:

July 1st from 9:00 am - 1:00 pm July 2nd from 4:00 pm - 8:00 pm

Wheeling Park District Community Recreation Center
333 W. Dundee Road Wheeling, IL 60090

Live music, food trucks, fireworks & more...

Come back to the airport after 5:00 pm and enjoy live music, food trucks, a beer tent, an aircraft static display and fireworks at the joint celebration of the July 4th holiday by the Village of Wheeling, City of Prospect Heights and Chicago Executive Airport.



Registration is Open!

JULY 3, 2015

8:00AM

RUN THE RUNWAY **AT CEA (PWK)** **5K Run and 1 MILE WALK**

Join us at Chicago Executive Airport in Wheeling, IL for our second annual Run the Runway race.

This is a rare opportunity to run or walk on our main runway and taxiways and see a bit of the airport while you complete our USATF certified course. The 5K race will also be chip timed.

Please though ... no dogs, strollers or skates.

For more information visit chiexec.com





1005 S WOLF ROAD SUITE 106
WHEELING IL 60090-6408

ADDRESS SERVICE REQUESTED

FLY MARKET



RESERVE A TABLE FOR \$25
SELL YOUR AVIATION "STUFF"
CONTACT LOU JANLOU@COMCAST.NET

FREE BREAKFAST

ALL CHICAGO EXECUTIVE
USERS WELCOME

YOU DON'T HAVE TO BE A MEMBER

IF YOU FLY HERE OR WORK HERE
JOIN US

JUNE 6TH 9AM TO NOON

NORTHEAST TEE HANGARS

WE WILL GREET YOU AT THE GATE
AND WELCOME YOU IN